


# MOMENTARY FLUSH SWITCH

## Installation and Wiring Instructions

### Part # PRS

**THE FOLLOWING ARE CAUTIONARY STATEMENTS THAT MUST BE READ AND FOLLOWED DURING BOTH INSTALLATION AND OPERATION.**

**WARNING:**  *Raritan Engineering Company, Inc. recommends that a qualified person or electrician install this product. Equipment damage, injury to personnel or death could result from improper installation. Raritan Engineering Company, Inc. accepts no responsibility or liability for damage to equipment, injury or death to personnel that may result from improper installation or operation of this product.*

**WARNING: HAZARD OF SHOCK OR FIRE**

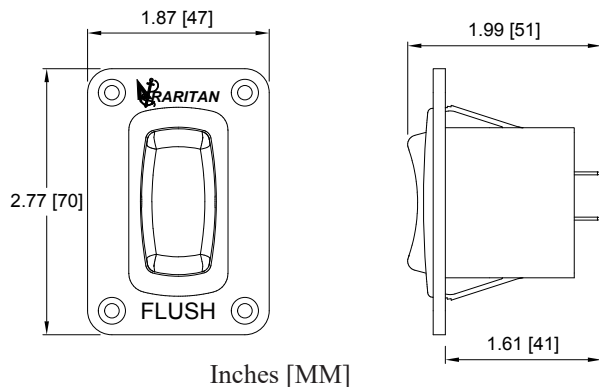


Always use recommended fuse, circuit breaker and wire sizes. Refer to toilet manuals for correct sizes.

**DO NOT** install in an area requiring “Ignition Protected” devices.

**Momentary Flush Switch** allows momentary operation of toilet by pressing switch.

- IP67 certified sealed front components
- Contact Ratings: 12VDC/20 AMPS, 24VDC/15 AMPS
- 1/4” Quick Connect Terminals
- Stainless Steel mounting plate



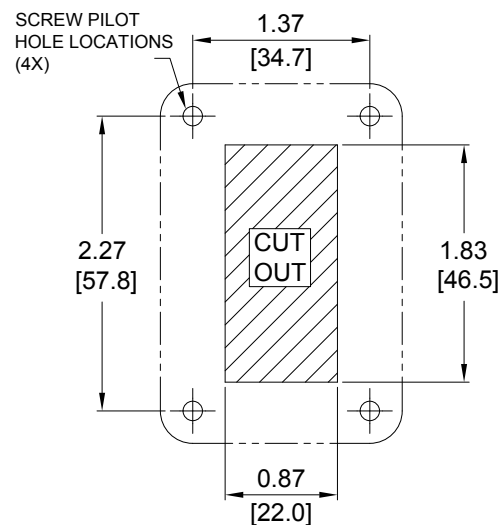
- **IMPORTANT:** Make certain that there is adequate clearances behind switch for wire connectors.
- Mount Momentary Flush Switch in an accessible location.
- Make certain wires can be routed to Momentary Flush Switch.

### Mounting Switch

1. Cut out hole for switch.
2. Use panel to mark screw pilot hole locations.

**NOTE:** #6 screws are provided, pilot hole size is dependent on material of mounting surface.

3. Route wire and connect switch.
4. Mount switch to wall

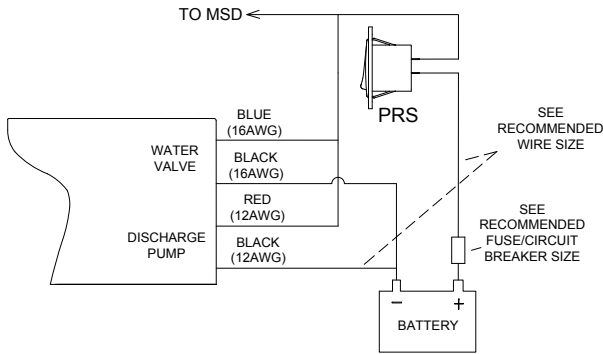


**Not actual size**  
Inches [MM]

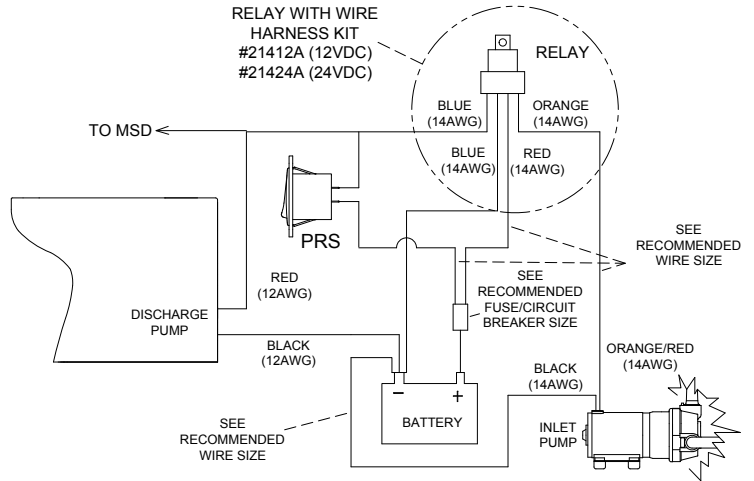
## Wiring

**Refer to toilet manual for recommended wire sizes and fuse/circuit breaker sizes.  
For remote Inlet Pumps, it is recommended that Relay Kit be used (Optional).  
Relay Kit part numbers are 21412A (12VDC) or 21424A (24VDC)**

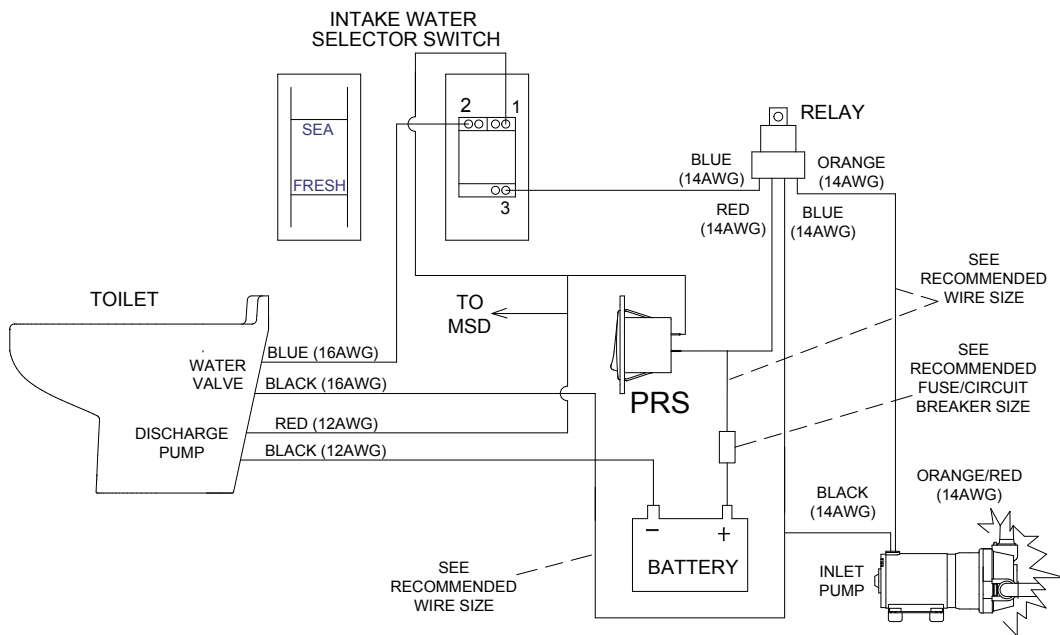
### Wiring for Fresh Water Model



### Wiring for Remote Pump Model



### Wiring for Sea/Fresh Model



**For limited warranty terms and conditions please refer to toilet manual**



530 Orange Street, Millville, NJ 08332 USA  
Telephone: 856-825-4900 FAX: 856-825-4409  
www.raritaneng.com